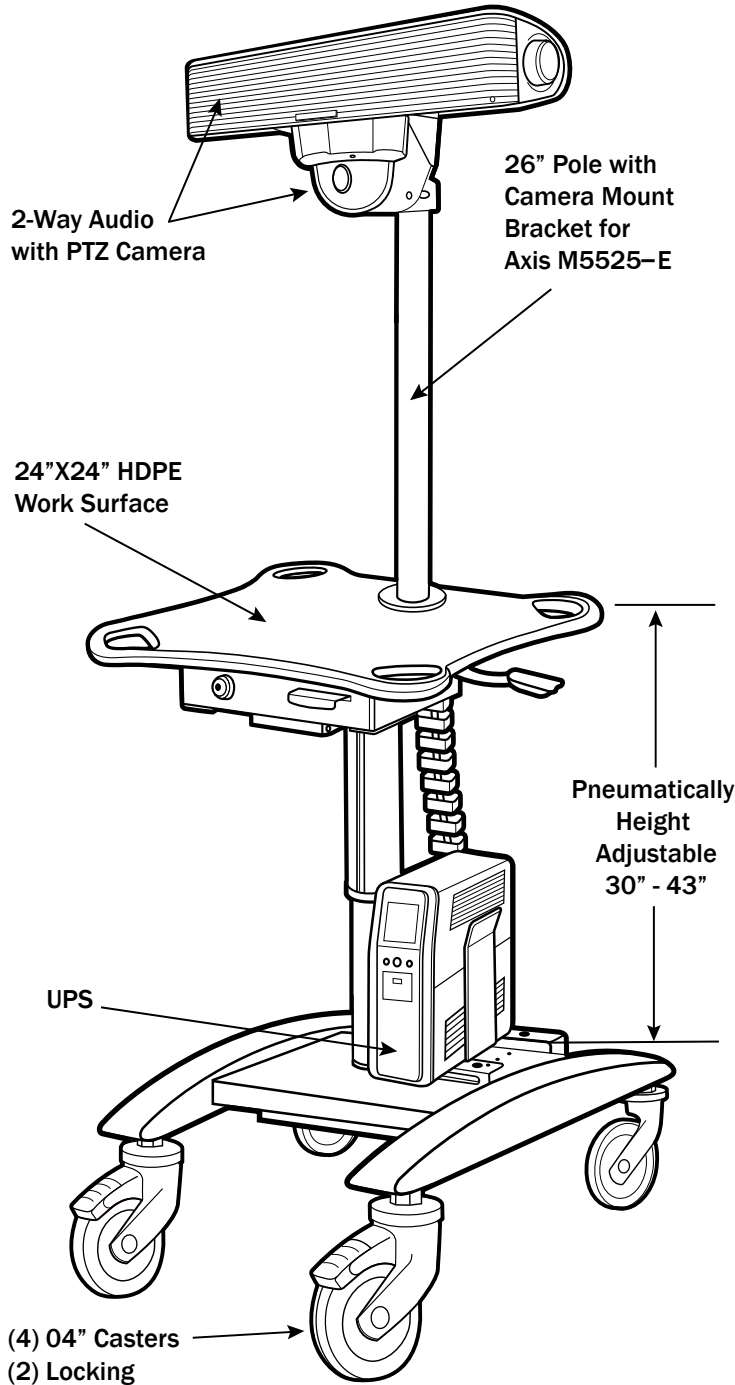


### PATIENT BEDSIDE MONITOR



### OPTIONS

- Hardwired or WiFi
- Several configuration options
- Two way video
- IR illumination
- LED "ON" light

### AXIS M5525-E PTZ Network Camera

Indoor and outdoor PTZ with 10x zoom



With HDTV 1080p resolution, 10x optical zoom, low light capability down to .01lux, and continuous 360° pan, the AXIS M5525-E provides the zoomed-in detail and the broad overview you need for remote patient care interactions.

### Two-Way Audio Package



The visual is just part of the package. The integrated microphone and speakers provide for clear and concise communication between caregivers and patients.



The R.O.Kit's two-way audio package includes a high performance, low noise microphone and music quality speakers.

Speaker volume is adjusted from the unit. The microphone can pick-up conversations from several feet away but includes extra cable length for soft-spoken patients.

### Uninterruptable Power Supply

Our UPS allows the cart to be moved to multiple patient rooms without necessitating a system reboot. The kit can be plugged into a local outlet, or rely solely on the UPS.

The battery is field-tested for 2 continuous hours of usage.

